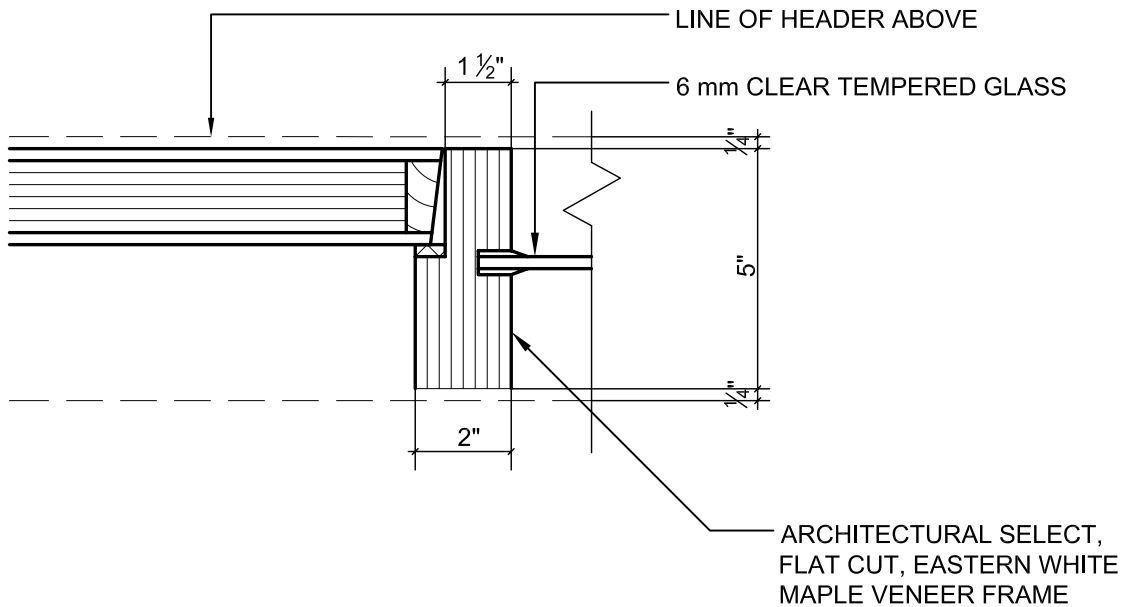


A
TG-5

SECT. THRU DOOR/HEAD
SCALE: 3" = 1'-0"



B
TG-5

SECT. THRU DOOR/GLAZING JAMB
SCALE: 3" = 1'-0"